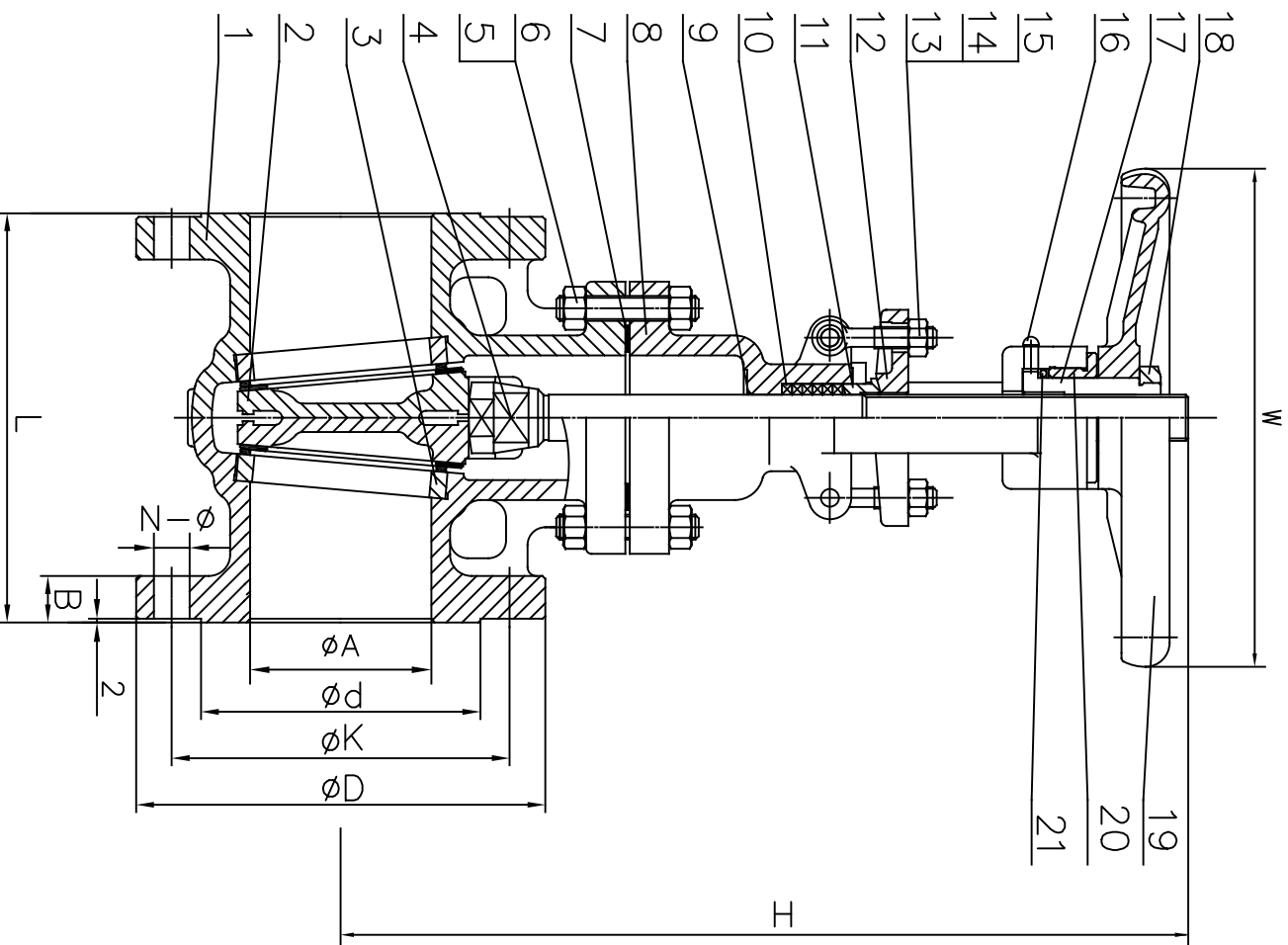


DN	NPS	A	L	D	K	d	B	N- ϕ	H	ϕ W
200	8"	203	292	345	298.5	270	29	8-22	755	350



Performance Specification	
Nominal Pressure	150LB
Shell test	3.0
Back seat test	2.2
Seat test	2.2
Gas test	0.6
Working Temperature	-29~425 °C
Medium:	W.O.G

21	Bearing	Steel
20	Bearing gland	A29 1035
19	Handwheel	Ductile iron
18	Lock Nut	A29 1035
17	Stem nut	Ductile iron+Cu
16	Oil cup	SS304
15	Pin	A29 1035
14	Nuts	A194 2H
13	Eye bolt	A193 B7
12	Gland flange	A216 WCB
11	Gland	A276 410
10	Packing	Flexible graphite
9	Back seal	13Cr
8	Bonnet	A216 WCB
7	Gasket	SS304+Flexible graphite
6	Nuts	A194 2H
5	Bolts	A193 B7
4	Stem	A182 F6a
3	Seat	A105+13Cr
2	Wedge	A216 WCB+13Cr
1	Body	A216 WCB
No.	Part name	Material