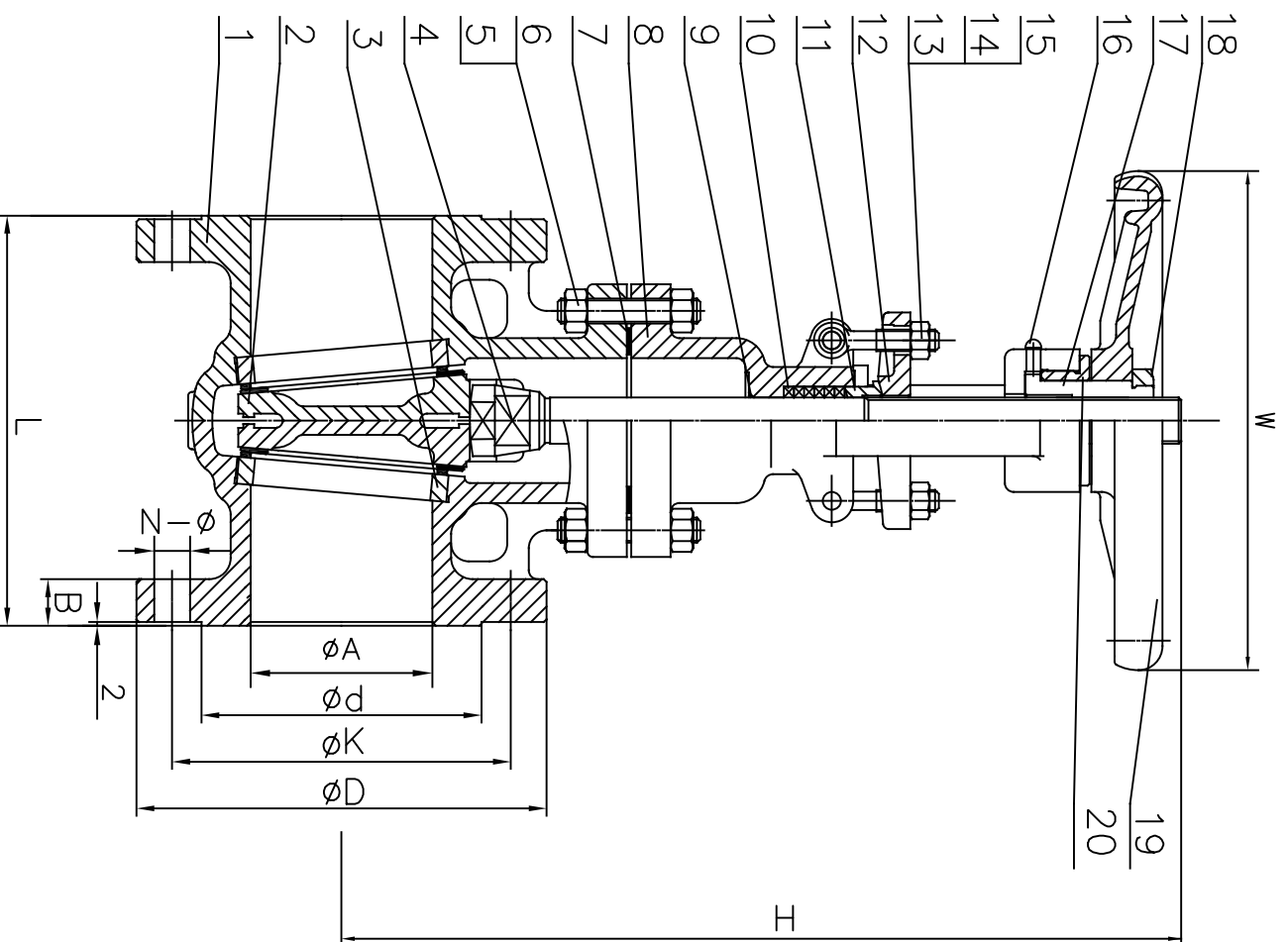


DN	NPS	A	L	D	K	d	B	N- ϕ	H	ϕ W
50	2"	51	178	150	120.5	92	16.3	4-19	335	200
65	2-1/2"	64	190	180	139.5	105	17.9	4-19	365	200
80	3"	76	203	190	152.5	127	19.5	4-19	415	250
100	4"	102	229	230	190.5	157	24.3	8-19	485	280
125	5"	127	254	255	216	186	24.3	8-22	520	300
150	6"	152	267	280	241.5	216	25.9	8-22	620	320



Performance Specification		
Nominal Pressure	150LB	
Shell test	3.0	
Back seat test	2.2	
Seat test	2.2	
Gas test	0.6	
Working Temperature	-29~425 °C	
Medium: W.O.G		

20	Bearing gland	A29 1035
19	Handwheel	Ductile iron
18	Lock Nut	A29 1035
17	Stem nut	Ductile iron+Cu
16	Oil cup	SS304
15	Pin	A29 1035
14	Nuts	A194 2H
13	Eye bolt	A193 B7
12	Gland flange	A216 WCB
11	Gland	A276 410
10	Packing	Flexible graphite
9	Back seal	13Cr
8	Bonnet	A216 WCB
7	Gasket	SS304+Flexible graphite
6	Nuts	A194 2H
5	Bolts	A193 B7
4	Stem	A182 F6a
3	Seat	A105+13Cr
2	Wedge	A216 WCB+13Cr
1	Body	A216 WCB
No.	Part name	Material