

Descrição / Características

Válvula de bloqueio de fluxo nas classes 150, 300, 600, 900 e 1500, indicada para utilização em diversos líquidos, gases e vapores em ampla faixa de temperatura e pressão conforme norma API 6D.

Duplo bloqueio e dreno.

Base para atuador conforme norma ISO 5211.

Efeito simples pistão (padrão).

Efeito duplo pistão (sob consulta).

Haste à prova de expulsão.

Acionamento manual por alavanca com ou sem trava para cadeado, disponível também com acionamento por atuador pneumático, elétrico ou caixa de redução.

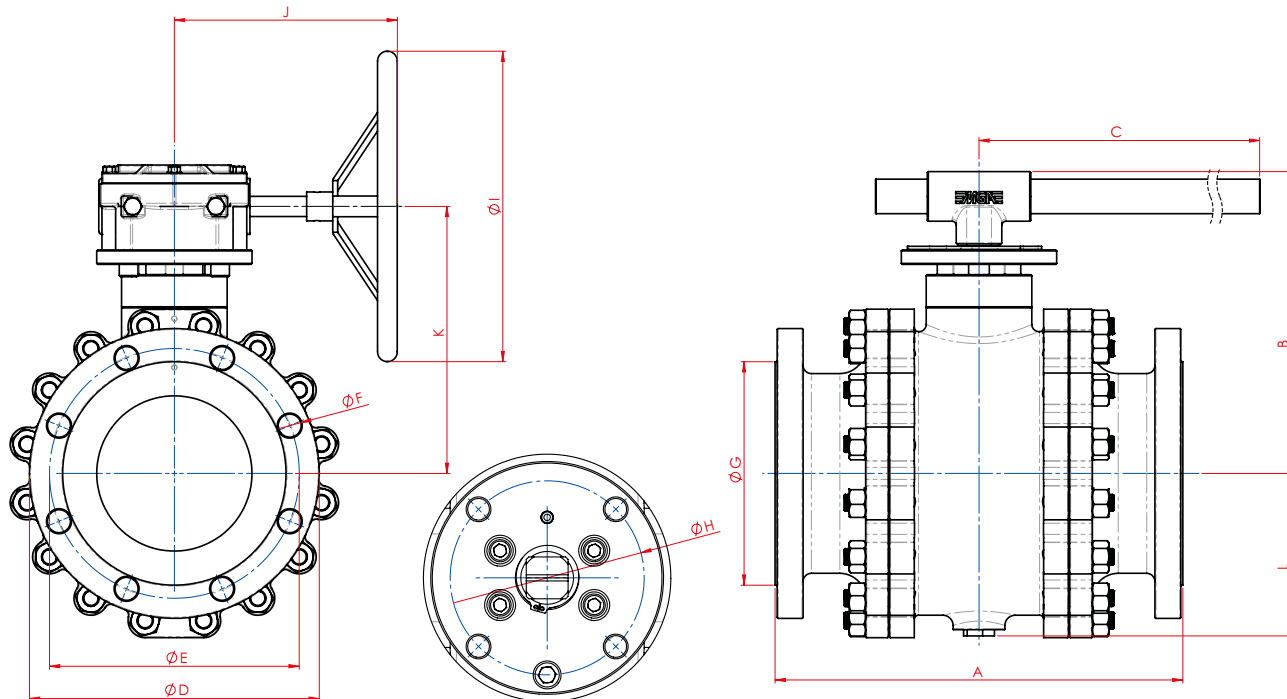
Dados Técnicos

EDIÇÃO 01 - 05/2021

Normas de Referência

Construção: **API 6D**
NBR 15827 (Sob Consulta)

Testes: **API 6D**
ISO 10497 | API 607 (Fire Safe)



VÁLVULA DE ESFERA TRIPARTIDA TRUNNION CLASSE 150 PASSAGEM PLENA (PP)																	
BITOLA		PASS.	A	B	C	D	E	F	G	H	I	J	K	L	N.º DE FUROS	PESO kg	Coeficiente de Fluxo Kv (m³/h)
POL.	DN																
6"	150	150,0	394,0	292,0	900,0	280,0	241,3	22,2	215,9	125,0	300,0	215,0	258,0	157,0	8	110,0	4500,0

VÁLVULA DE ESFERA TRIPARTIDA TRUNNION CLASSE 300 PASSAGEM PLENA (PP)																	
BITOLA		PASS.	A	B	C	D	E	F	G	H	I	J	K	L	N.º DE FUROS	PESO kg	Coeficiente de Fluxo Kv (m³/h)
POL.	DN																
6"	150	150,0	403,0	292,0	900,0	320,0	269,9	22,2	215,9	125,0	300,0	215,0	258,0	157,0	12	126,0	4500,0

VÁLVULA DE ESFERA TRIPARTIDA TRUNNION CLASSE 600 PASSAGEM PLENA (PP)																	
BITOLA		PASS.	A	B	C	D	E	F	G	H	I	J	K	L	N.º DE FUROS	PESO kg	Coeficiente de Fluxo Kv (m³/h)
POL.	DN																
2"	50	49,0	292,0	182,0	480,0	165,0	127,0	19,05	92,1	102,0	300,0	215,0	167,0	98,5	8	37,0	346,0
3"	80	74,5	356,0	213,0	480,0	210,0	168,3	22,2	127,0	102,0	300,0	215,0	190,0	121,0	8	64,0	865,0
4"	100	100,0	432,0	257,0	900,0	275,0	215,9	25,4	157,2	125,0	300,0	215,0	223,0	150,0	8	117,0	1600,0
6"	150	150,0	559,0	-	-	355,0	292,1	29,0	215,9	165,0	350,0	220,0	285,0	161,0	12	235,0	3800,0

VÁLVULA DE ESFERA TRIPARTIDA TRUNNION CLASSE 900 PASSAGEM PLENA (PP)																	
BITOLA		PASS.	A	B	C	D	E	F	G	H	I	J	K	L	N.º DE FUROS	PESO kg	Coeficiente de Fluxo Kv (m³/h)
POL.	DN																
2"	50	49,0	368,0	196,0	480,0	215,0	165,1	25,4	92,1	102,0	300,0	215,0	172,0	110,0	8	61,0	286,0
3"	80	74,5	381,0	212,0	480,0	240,0	190,5	25,4	127,0	102,0	300,0	215,0	190,0	130,0	8	79,0	778,0
4"	100	100,0	457,0	262,0	900,0	290,0	235,0	32,0	157,2	125,0	300,0	215,0	229,0	166,0	8	120,0	1514,0

VÁLVULA DE ESFERA TRIPARTIDA TRUNNION CLASSE 1500 PASSAGEM PLENA (PP)																	
BITOLA		PASS.	A	B	C	D	E	F	G	H	I	J	K	L	N.º DE FUROS	PESO kg	Coeficiente de Fluxo Kv (m³/h)
POL.	DN																
2"	50	49,0	368,0	196,0	480,0	215,0	165,1	25,4	92,1	102,0	300,0	215,0	172,0	110,0	8	61,0	286,0
3"	80	74,5	470,0	238,0	900,0	265,0	203,2	32,0	127,0	125,0	300,0	215,0	205,0	144,0	8	120,0	700,0
4"	100	100,0	546,0	-	-	310,0	241,3	35,0	157,2	165,0	350,0	220,0	262,0	185,0	8	208,0	1430,0