

Normas de Referência

Construção

BSI BS EN ISO 17292
 ASME B 16.34

Testes

API 598

Conexões

ROSCA BSP - ISO 228
 ROSCA NPT - ANSI/ASME B 1.20.1
 SOLDA SW - ASME B 16.11
 SOLDA BW - ASME B 16.25

Materiais

Corpo e Tampa

ASTM A216 - WCB
 ASTM A351 - CF8
 ASTM A351 - CF8M

Esfera

ASTM A351 - CF8
 ASTM A351 - CF8M
 ASTM A217 - CA15
 IC416
 ASTM B16 - C360

Vedações

PTFE | COMP L

Haste

AISI - 304
 AISI - 304L
 AISI - 316
 AISI - 316L
 AISI - 1020
 AISI - 410
 AISI - 416
 Outros materiais sob consulta



IMAGEM MERAMENTE ILUSTRATIVA

Especificações Técnicas

Válvula de bloqueio de fluxo Classe 300 indicada para utilização em diversos líquidos, gases e vapores em ampla faixa de temperatura e pressão conforme norma ASME B16.34.

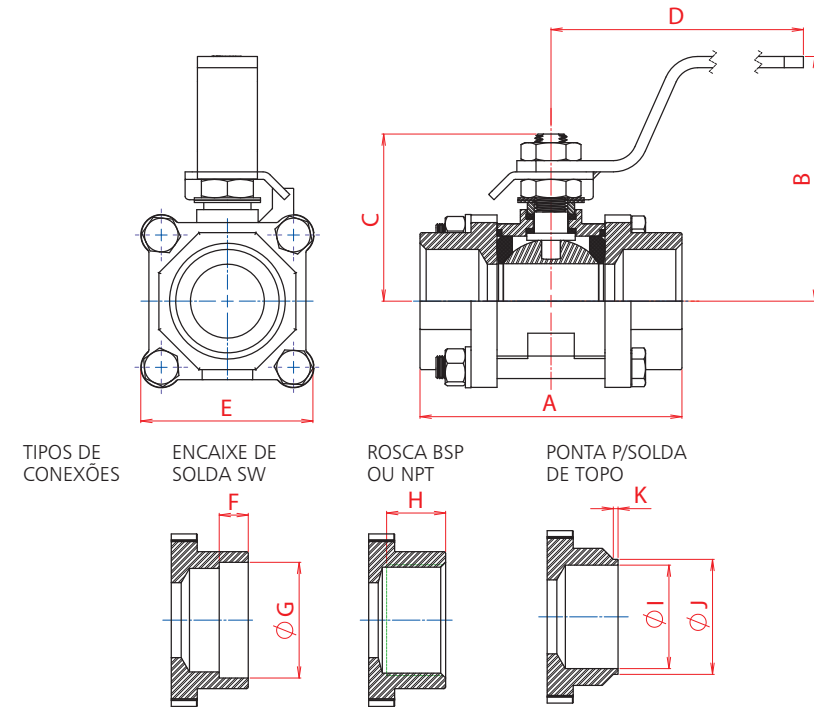
Construção tripartida (um corpo e duas tampas), facilitando a manutenção sem a necessidade de desconectar as extremidades da linha.

Haste à prova de expulsão.

Disponível na construção com dupla vedação, o que proporciona maior segurança quando utilizadas em linha de vapor.

De fácil aplicação para trava de cadeado.

Dados Técnicos

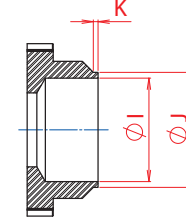
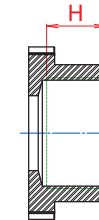
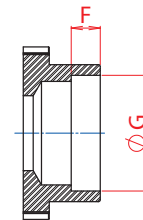


TIPOS DE CONEXÕES

ENCAIXE DE SOLDA SW

ROSCA BSP OU NPT

PONTA P/SOLDA DE TOPO



VÁLVULA DE ESFERA TRIPARTIDA PASSAGEM REDUZIDA (PR)

BITOLA		PASS.	A*	B	C	D	E	F	G	H	I	J	K	PESO kg	Coeficiente de Fluxo Kv (m³/h)
POL.	DN														
1/2"	15	11,1	62,0	46,0	39,0	125,0	44,0	9,5	21,8	17,0	15,8	21,8	2,0	0,49	5,0
3/4"	20	14,0	71,6	48,0	41,0	125,0	48,0	12,5	27,1	17,0	20,9	27,1	2,0	0,61	9,8
1"	25	20,4	88,6	82,0	51,0	165,0	57,0	12,5	33,8	23,0	26,4	33,8	2,0	1,05	18,7
1.1/4"	32	25,4	101,0	86,0	60,0	165,0	64,0	12,5	42,6	23,0	35,0	42,6	2,0	1,40	42,0
1.1/2"	40	31,7	111,7	110,0	73,0	170,0	73,0	12,5	48,7	28,0	41,0	48,7	3,0	2,20	72
2"	50	38,0	121,5	113,0	77,0	170,0	82,0	16,0	61,0	28,0	52,5	61,0	3,0	2,90	107
2.1/2"	65	50,8	138,8	125,0	86,0	256,0	94,0	16,0	73,8	28,0	62,7	73,8	3,0	4,65	185
3"	80	63,0	176,5	145,0	116,0	267,0	116,0	16,0	90,1	37,0	78,0	90,1	3,0	8,70	305

VÁLVULA DE ESFERA TRIPARTIDA PASSAGEM PLENA (PP)

BITOLA		PASS.	A*	B	C	D	E	F	G	H	I	J	K	PESO kg	Coeficiente de Fluxo Kv (m³/h)
POL.	DN														
1/4"	8	11,1	62,0	46,0	39,0	125,0	44,0	9,5	14,0	11,0	9,3	14,0	2,0	0,54	5,0
3/8"	10	11,1	62,0	46,0	39,0	125,0	44,0	9,5	17,6	11,0	12,3	17,6	2,0	0,52	5,0
1/2"	15	14,0	71,5	48,0	41,0	125,0	48,0	9,5	21,8	17,0	15,8	21,8	2,0	0,65	14,6
3/4"	20	20,4	88,6	82,0	51,0	165,0	57,0	12,5	27,1	17,0	20,9	27,1	2,0	1,13	27,8
1"	25	25,4	101,0	86,0	60,0	165,0	64,0	12,5	33,8	23,0	26,4	33,8	2,0	1,60	56,5
1.1/4"	32	31,7	111,7	110,0	73,0	170,0	73,0	12,5	42,6	23,0	35,0	42,6	2,0	2,55	104
1.1/2"	40	38,0	121,5	113,0	77,0	170,0	82,0	12,5	48,7	28,0	41,0	48,7	3,0	3,30	161
2"	50	50,8	138,8	125,0	86,0	256,0	94,0	16,0	61,0	28,0	52,5	61,0	3,0	5,20	278
2.1/2"	65	63,0	176,5	145,0	116,0	267,0	116,0	16,0	73,8	28,0	62,7	73,8	3,0	9,38	460

A vazão apresentada em Kv (m³/h) corresponde a um diferencial de pressão (Δp) de 1 bar utilizando água como fluido de teste.
 * Para conexão BW, medidas sob consulta.